

TOSHIBA CMOS Digital Integrated Circuit Silicon Monolithic

## TC74VHC299F, TC74VHC299FT

### 8-Bit Pipo Shift Register with Asynchronous Clear

The TC74VHC299 is an advanced high speed CMOS 8-BIT PIPO SHIFT REGISTER fabricated with silicon gate C<sup>2</sup>MOS technology.

It achieves the high speed operation similar to equivalent Bipolar Schottky TTL while maintaining the CMOS low power dissipation.

It has a four modes (HOLD, SHIFT LEFT, SHIFT RIGHT and LOAD DATA) controlled by the two selection inputs (S0, S1).

When one or both enable ( $\overline{G1}$ ,  $\overline{G2}$ ) are high, the eight I/O are forced to the high-impedance state; however, sequential operation or clearing of the register is not affected.

All inputs are equipped with protection circuits against static discharge.

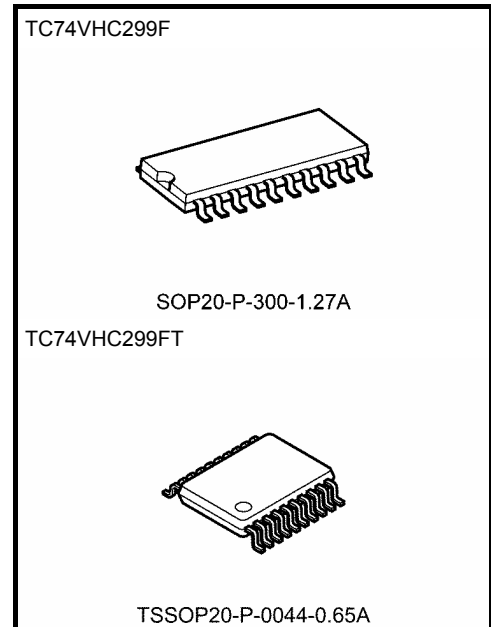
#### Features (Note 1) (Note 2) (Note 3)

- High speed:  $f_{max} = 160$  MHz (typ.) at  $V_{CC} = 5$  V
- Low power dissipation:  $I_{CC} = 4$   $\mu$ A (max) at  $T_a = 25^\circ$ C
- High noise immunity:  $V_{NIH} = V_{NIL} = 28\%$   $V_{CC}$  (min)
- Balanced propagation delays:  $t_{pLH} \approx t_{pHL}$
- Wide operating voltage range:  $V_{CC} (opr) = 2$  to  $5.5$  V
- Low noise:  $V_{OLP} = 1.4$  V (max)
- Pin and function compatible with 74ALS299

Note 1: Do not apply a signal to A/QA to H/QH bus terminal when it is in the output mode. Damage may result.

Note 2: All floating (high impedance) A/QA to H/QH bus terminals must have their input levels fixed by means of pull up or pull down resistors.

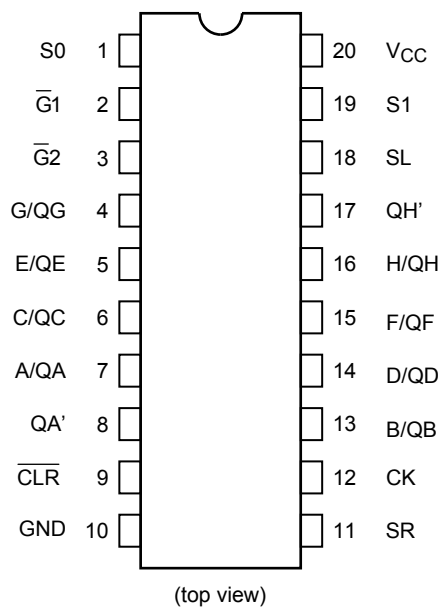
Note 3: A parasitic diode is formed between A/QA to H/QH bus and  $V_{CC}$  terminals. Therefore bus terminal can not be used to interface 5 V to 3 V systems directly.



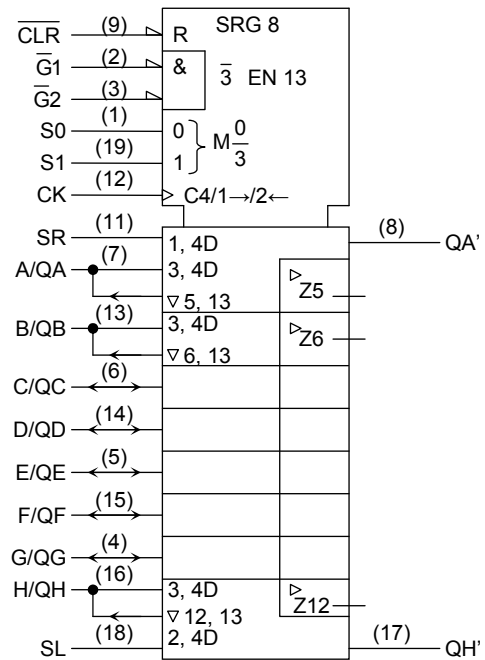
Weight

SOP20-P-300-1.27A	: 0.22 g (typ.)
TSSOP20-P-0044-0.65A	: 0.08 g (typ.)

## Pin Assignment



## IEC Logic Symbol



## Truth Table

Mode	Inputs						Inputs /Outputs		Outputs			
	CLR	Function Select		Output Control		CK	Serial		A/QA	H/QH	QA'	QH'
		S1	S0	G1 (Note)	G2 (Note)		SL	SR				
Z	L	H	H	X	X	X	X	X	Z	Z	L	L
Clear	L	L	X	L	L	X	X	X	L	L	L	L
	L	X	L	L	L	X	X	X	L	L	L	L
Hold	H	L	L	L	L	X	X	X	QA <sub>0</sub>	QH <sub>0</sub>	QA <sub>0</sub>	QH <sub>0</sub>
Shift Right	H	L	H	L	L	↑	X	H	H	QG <sub>n</sub>	H	QG <sub>n</sub>
	H	L	H	L	L	↑	X	L	L	QG <sub>n</sub>	L	QG <sub>n</sub>
Shift Left	H	H	L	L	L	↑	H	X	QB <sub>n</sub>	H	QB <sub>n</sub>	H
	H	H	L	L	L	↑	L	X	QB <sub>n</sub>	L	QB <sub>n</sub>	L
Load	H	H	H	X	X	↑	X	X	a	h	a	h

Note: When one or both output controls are high, the eight input/output terminals are in the high-impedance state; however sequential or clearing of the register is not affected.

Z: High impedance

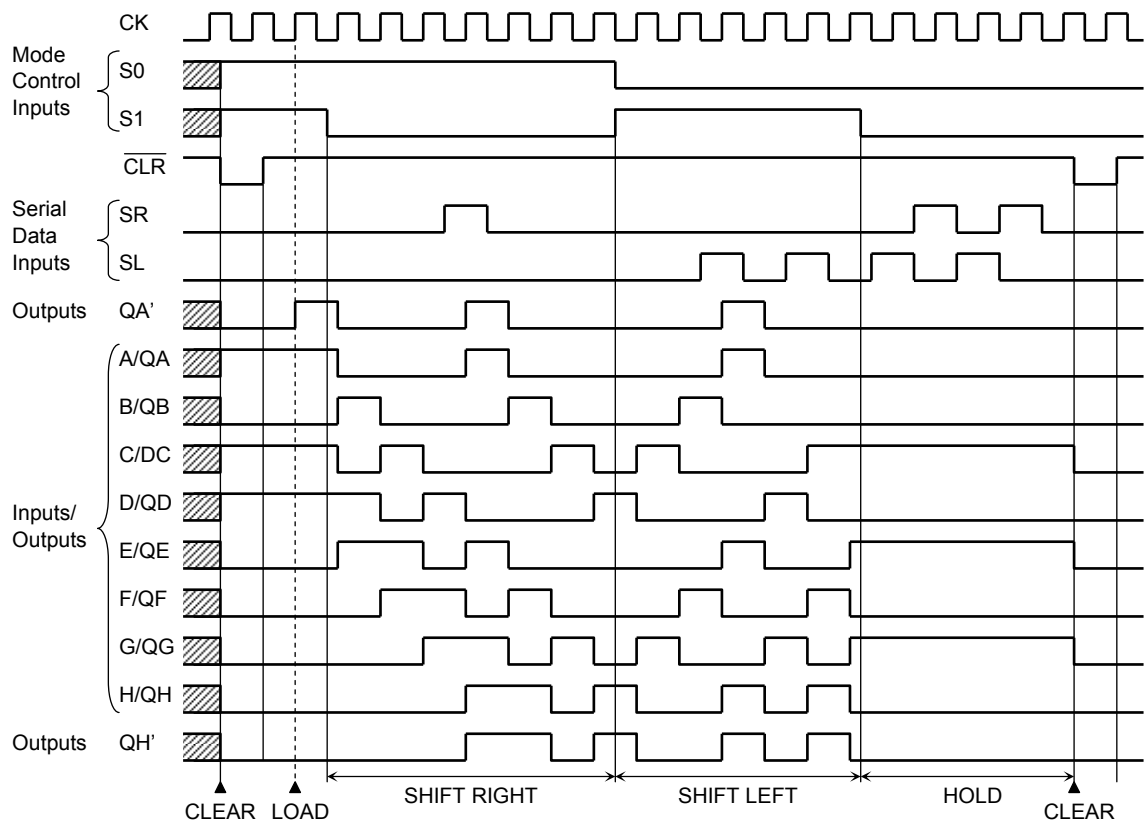
Q<sub>n0</sub>: The level of Q<sub>n</sub> before the indicated steady-state input conditions were established.

Q<sub>nn</sub>: The level of Q<sub>n</sub> before the most recent active transition indicated by ↓ or ↑.

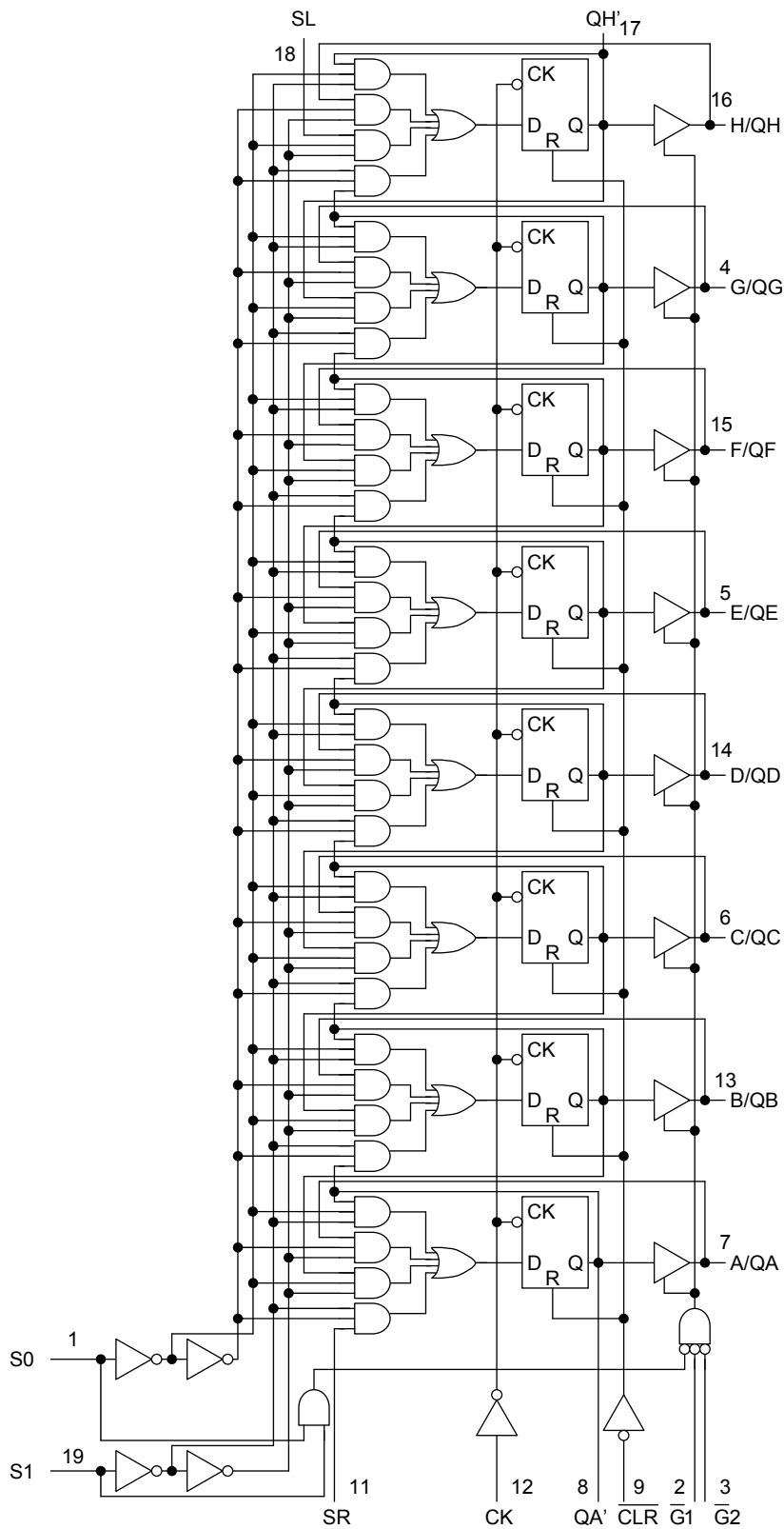
a, h: The level of the steady-state inputs A, H, respectively.

X: Don't care.

**Timing Chart**



**System Diagram**



## Absolute Maximum Ratings (Note)

Characteristics	Symbol	Rating	Unit
Supply voltage range	$V_{CC}$	-0.5 to 7.0	V
DC input voltage	$V_{IN}$	-0.5 to 7.0	V
DC bus I/O voltage (A/QA to H/QH')	$V_{IN/OUT}$	-0.5 to $V_{CC} + 0.5$	V
DC output voltage (QA' to QH')	$V_{OUT}$	-0.5 to $V_{CC} + 0.5$	V
Input diode current	$I_{IK}$	-20	mA
Output diode current	$I_{OK}$	$\pm 20$	mA
DC output current	$I_{OUT}$	$\pm 25$	mA
DC $V_{CC}$ /ground current	$I_{CC}$	$\pm 80$	mA
Power dissipation	$P_D$	180	mW
Storage temperature	$T_{stg}$	-65 to 150	$^{\circ}C$

Note: Exceeding any of the absolute maximum ratings, even briefly, lead to deterioration in IC performance or even destruction.

Using continuously under heavy loads (e.g. the application of high temperature/current/voltage and the significant change in temperature, etc.) may cause this product to decrease in the reliability significantly even if the operating conditions (i.e. operating temperature/current/voltage, etc.) are within the absolute maximum ratings and the operating ranges.

Please design the appropriate reliability upon reviewing the Toshiba Semiconductor Reliability Handbook ("Handling Precautions"/"Derating Concept and Methods") and individual reliability data (i.e. reliability test report and estimated failure rate, etc).

## Operating Ranges (Note)

Characteristics	Symbol	Rating	Unit
Supply voltage	$V_{CC}$	2.0 to 5.5	V
Input voltage	$V_{IN}$	0 to 5.5	V
DC bus I/O voltage (A/QA to H/QH)	$V_{IN/OUT}$	0 to $V_{CC}$	V
DC output voltage (QA' to QH')	$V_{OUT}$	0 to $V_{CC}$	V
Operating temperature	$T_{opr}$	-40 to 85	$^{\circ}C$
Input rise and fall time	dt/dV	0 to 100 ( $V_{CC} = 3.3 \pm 0.3$ V) 0 to 20 ( $V_{CC} = 5 \pm 0.5$ V)	ns/V

Note: The operating ranges must be maintained to ensure the normal operation of the device. Unused inputs must be tied to either VCC or GND.

## Electrical Characteristics

### DC Characteristics

Characteristics	Symbol	Test Condition		Ta = 25°C			Ta = -40 to 85°C		Unit	
				V <sub>CC</sub> (V)	Min	Typ.	Max	Min		Max
High-level input voltage	V <sub>IH</sub>	—		2.0 3.0 to 5.5	1.50 V <sub>CC</sub> × 0.7	— —	— —	1.50 V <sub>CC</sub> × 0.7	— —	V
Low-level input voltage	V <sub>IL</sub>	—		2.0 3.0 to 5.5	— —	— —	— —	0.50 V <sub>CC</sub> × 0.3	0.50 V <sub>CC</sub> × 0.3	V
High-level output voltage	V <sub>OH</sub>	V <sub>IN</sub> = V <sub>IH</sub> or V <sub>IL</sub>	I <sub>OH</sub> = -50 μA	2.0 3.0 4.5	1.9 2.9 4.4	2.0 3.0 4.5	— — —	1.9 2.9 4.4	— — —	V
			I <sub>OH</sub> = -4 mA	3.0	2.58	—	—	2.48	—	
			I <sub>OH</sub> = -8 mA	4.5	3.94	—	—	3.80	—	
Low-level output voltage	V <sub>OL</sub>	V <sub>IN</sub> = V <sub>IH</sub> or V <sub>IL</sub>	I <sub>OL</sub> = 50 μA	2.0 3.0 4.5	— — —	0.0 0.0 0.0	0.1 0.1 0.1	— — —	0.1 0.1 0.1	V
			I <sub>OL</sub> = 4 mA	3.0	—	—	0.36	—	0.44	
			I <sub>OL</sub> = 8 mA	4.5	—	—	0.36	—	0.44	
3-state output off-state current	I <sub>OZ</sub>	V <sub>IN</sub> = V <sub>IH</sub> or V <sub>IL</sub> V <sub>OUT</sub> = V <sub>CC</sub> or GND		5.5	—	—	±0.25	—	±2.50	μA
Input leakage current	I <sub>IN</sub>	V <sub>IN</sub> = 5.5 V or GND		0 to 5.5	—	—	±0.1	—	±1.0	μA
Quiescent supply current	I <sub>CC</sub>	V <sub>IN</sub> = V <sub>CC</sub> or GND		5.5	—	—	4.0	—	40.0	μA

## AC Characteristics (input: $t_r = t_f = 3$ ns)

Characteristics	Symbol	Test Condition	Ta = 25°C			Ta = -40 to 85°C		Unit				
			V <sub>CC</sub> (V)	C <sub>L</sub> (pF)	Min	Typ.	Max		Min	Max		
Propagation delay time (CK-QA', QH')	t <sub>pLH</sub>	—	3.3 ± 0.3	15	—	12.2	17.2	1.0	19.8	ns		
				50	—	14.7	20.7	1.0	23.3			
	5.0 ± 0.5		15	—	8.5	10.8	1.0	12.0				
			50	—	10.0	12.8	1.0	14.0				
Propagation delay time ( $\overline{\text{CLR}}$ -QA', QH')	t <sub>pHL</sub>	—	3.3 ± 0.3	15	—	13.0	19.0	1.0	22.0	ns		
				50	—	15.5	22.5	1.0	25.5			
			5.0 ± 0.5	15	—	9.1	11.2	1.0	13.5			
				50	—	10.8	13.2	1.0	15.5			
Propagation delay time (CK-QA to QH)	t <sub>pLH</sub>	—	3.3 ± 0.3	15	—	10.3	14.3	1.0	16.6	ns		
				50	—	12.8	17.8	1.0	20.1			
	5.0 ± 0.5		15	—	7.3	9.1	1.0	10.4				
			50	—	8.8	11.1	1.0	12.4				
Propagation delay time ( $\overline{\text{CLR}}$ -QA to QH)	t <sub>pHL</sub>	—	3.3 ± 0.3	15	—	10.8	17.0	1.0	19.5	ns		
				50	—	13.3	20.5	1.0	23.0			
			5.0 ± 0.5	15	—	7.7	10.5	1.0	12.0			
				50	—	9.2	12.5	1.0	14.0			
Output enable time	t <sub>pZL</sub>	R <sub>L</sub> = 1 kΩ	3.3 ± 0.3	15	—	13.3	16.5	1.0	19.2	ns		
				50	—	14.8	19.0	1.0	21.7			
	5.0 ± 0.5		15	—	8.9	9.7	1.0	11.3				
			50	—	10.4	11.2	1.0	12.6				
Output disable time	t <sub>pLZ</sub>	R <sub>L</sub> = 1 kΩ	3.3 ± 0.3	50	—	18.0	21.3	1.0	24.3	ns		
			5.0 ± 0.5	50	—	11.8	13.2	1.0	15.0			
Maximum clock frequency	f <sub>max</sub>		—	3.3 ± 0.3	15	65	100	—	55		—	MHz
					50	55	90	—	50		—	
		5.0 ± 0.5		15	125	160	—	110	—			
				50	115	150	—	100	—			
Input capacitance	C <sub>IN</sub>	—	—	—	4	10	—	—	pF			
Bus I/O capacitance (A/QA to H/QH)	C <sub>OUT</sub>	—	—	—	8	—	—	—	pF			
Power dissipation capacitance	C <sub>PD</sub>	(Note)	—	—	110	—	—	—	pF			

Note: C<sub>PD</sub> is defined as the value of the internal equivalent capacitance which is calculated from the operating current consumption without load.

Average operating current can be obtained by the equation:

$$I_{CC(opr)} = C_{PD} \cdot V_{CC} \cdot f_{IN} + I_{CC}$$

### Timing Requirements (input: $t_r = t_f = 3 \text{ ns}$ )

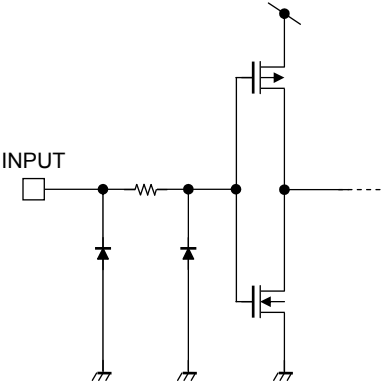
Characteristics	Symbol	Test Condition	Ta = 25°C		Ta = -40 to 85°C		Unit
			V <sub>CC</sub> (V)	Typ.	Limit	Limit	
Minimum pulse width (CK)	$t_w$ (H)	—	3.3 ± 0.3	—	7.0	8.0	ns
	$t_w$ (L)		5.0 ± 0.5	—	7.0	8.0	
Minimum pulse width ( $\overline{\text{CLR}}$ )	$t_w$ (L)	—	3.3 ± 0.3 5.0 ± 0.5	— —	6.0 6.0	7.0 7.0	ns
Minimum set-up time (SL, SR)	$t_s$	—	3.3 ± 0.3	—	8.5	10.0	ns
			5.0 ± 0.5	—	5.0	5.0	
Minimum set-up time (A to H)	$t_s$	—	3.3 ± 0.3 5.0 ± 0.5	— —	8.0 4.0	9.0 4.0	ns
Minimum set-up time (S0, S1)	$t_s$	—	3.3 ± 0.3	—	14.5	17.0	ns
			5.0 ± 0.5	—	7.0	8.0	
Minimum hold time (SL, SR)	$t_h$	—	3.3 ± 0.3	—	1.0	1.0	ns
			5.0 ± 0.5	—	1.0	1.0	
Minimum hold time (A to H)	$t_h$	—	3.3 ± 0.3	—	0.5	0.5	ns
			5.0 ± 0.5	—	1.5	1.5	
Minimum hold time (S0, S1)	$t_h$	—	3.3 ± 0.3	—	0	0	ns
			5.0 ± 0.5	—	0.5	0.5	
Minimum removal time ( $\overline{\text{CLR}}$ )	$t_{rem}$	—	3.3 ± 0.3	—	5.0	6.0	ns
			5.0 ± 0.5	—	4.0	4.0	

### Noise Characteristics (input: $t_r = t_f = 3 \text{ ns}$ )

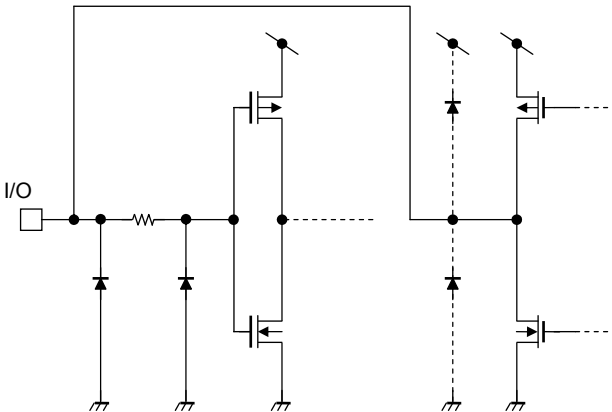
Characteristics	Symbol	Test Condition	Ta = 25°C		Unit	
			V <sub>CC</sub> (V)	Typ.		Limit
Quiet output maximum dynamic V <sub>OL</sub>	V <sub>OLP</sub>	C <sub>L</sub> = 50 pF	5.0	0.9	1.2	V
Quiet output minimum dynamic V <sub>OL</sub>	V <sub>OLV</sub>	C <sub>L</sub> = 50 pF	5.0	-0.9	-1.2	V
Minimum high level dynamic input Voltage	V <sub>IHD</sub>	C <sub>L</sub> = 50 pF	5.0	—	3.5	V
Maximum low high level dynamic input Voltage	V <sub>ILD</sub>	C <sub>L</sub> = 50 pF	5.0	—	1.5	V



Input Equivalent Circuit



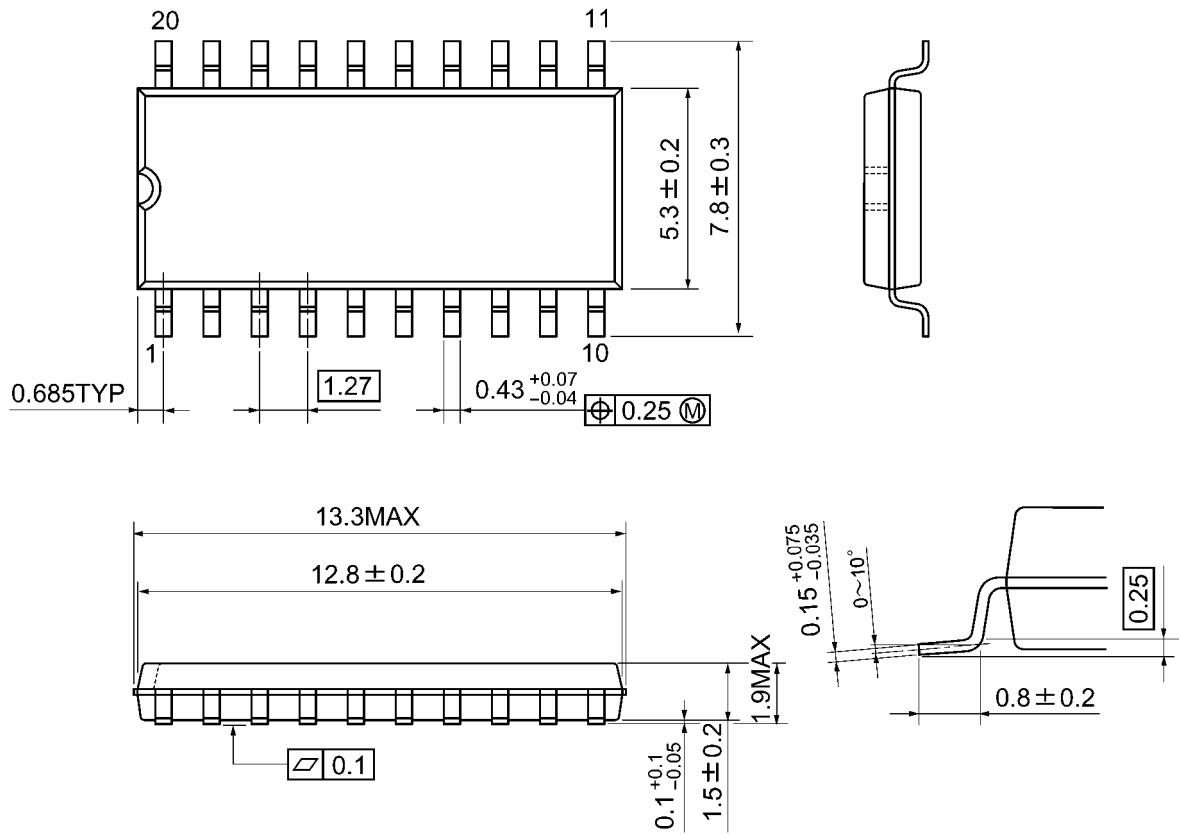
A/QA to H/QH Bus Terminal Equivalent Circuit



**Package Dimensions**

SOP20-P-300-1.27A

Unit: mm

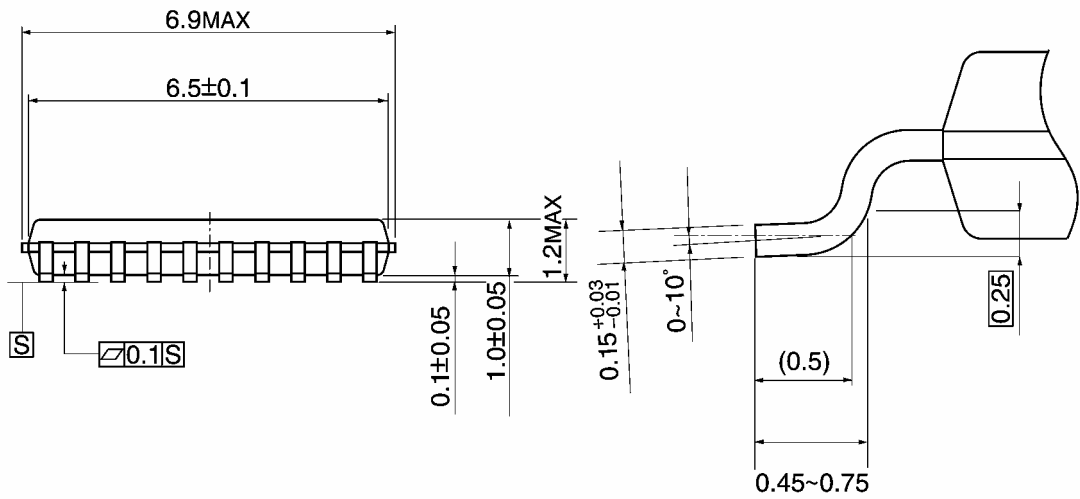
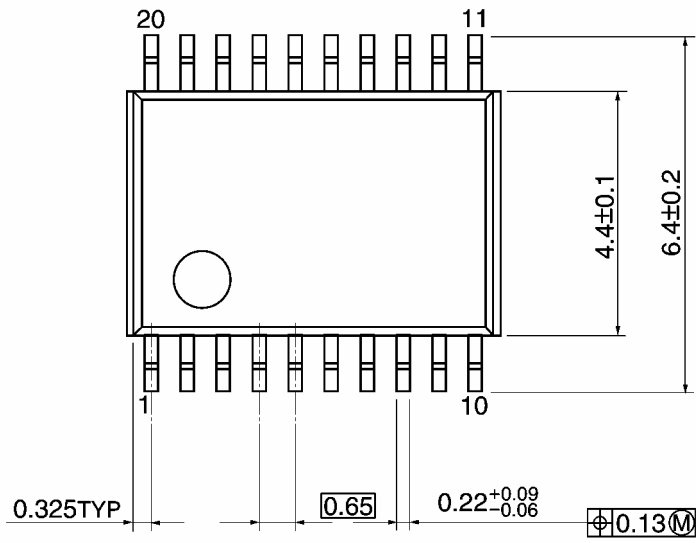


Weight: 0.22 g (typ.)

**Package Dimensions**

TSSOP20-P-0044-0.65A

Unit: mm



Weight: 0.08 g (typ.)

**RESTRICTIONS ON PRODUCT USE**

20070701-EN GENERAL

- The information contained herein is subject to change without notice.
- TOSHIBA is continually working to improve the quality and reliability of its products. Nevertheless, semiconductor devices in general can malfunction or fail due to their inherent electrical sensitivity and vulnerability to physical stress. It is the responsibility of the buyer, when utilizing TOSHIBA products, to comply with the standards of safety in making a safe design for the entire system, and to avoid situations in which a malfunction or failure of such TOSHIBA products could cause loss of human life, bodily injury or damage to property.  
In developing your designs, please ensure that TOSHIBA products are used within specified operating ranges as set forth in the most recent TOSHIBA products specifications. Also, please keep in mind the precautions and conditions set forth in the "Handling Guide for Semiconductor Devices," or "TOSHIBA Semiconductor Reliability Handbook" etc.
- The TOSHIBA products listed in this document are intended for usage in general electronics applications (computer, personal equipment, office equipment, measuring equipment, industrial robotics, domestic appliances, etc.). These TOSHIBA products are neither intended nor warranted for usage in equipment that requires extraordinarily high quality and/or reliability or a malfunction or failure of which may cause loss of human life or bodily injury ("Unintended Usage"). Unintended Usage include atomic energy control instruments, airplane or spaceship instruments, transportation instruments, traffic signal instruments, combustion control instruments, medical instruments, all types of safety devices, etc.. Unintended Usage of TOSHIBA products listed in this document shall be made at the customer's own risk.
- The products described in this document shall not be used or embedded to any downstream products of which manufacture, use and/or sale are prohibited under any applicable laws and regulations.
- The information contained herein is presented only as a guide for the applications of our products. No responsibility is assumed by TOSHIBA for any infringements of patents or other rights of the third parties which may result from its use. No license is granted by implication or otherwise under any patents or other rights of TOSHIBA or the third parties.
- Please contact your sales representative for product-by-product details in this document regarding RoHS compatibility. Please use these products in this document in compliance with all applicable laws and regulations that regulate the inclusion or use of controlled substances. Toshiba assumes no liability for damage or losses occurring as a result of noncompliance with applicable laws and regulations.